

# HDMI® Port

## HDMI 1.4 - ESD & Overcurrent Protection

### Solution Products



CG0402MLU-05G



MF-FSMF020X-2

### Objective

HDMI 1.4 is a hot-pluggable interface combining video, audio & Ethernet signals. Voltages are 5 V or lower and the bandwidth is 340 MHz. This solution provides HDMI 1.4 ports with protection against ESD and short circuits without impairing the transmission of power or data

### Solution

- 9 ChipGuard® ESD Suppressors:  
CG0402MLU-05G
- 1 Multifuse® PTC Resettable Fuse:  
MF-FSMF020X-2

### Compliance

IEC 61000-4-2 Level 4 (8 kV / 15 kV)

### Alternate Recommendations

- Other PortNote® Solutions:*
- HDMI: HDMI 1.3 - ESD & Overcurrent Protection
- Other ChipGuard® Protectors:*
- CG0603MLU-05E, CG0402MLC-05LGA  
CG0603MLC-05LEA

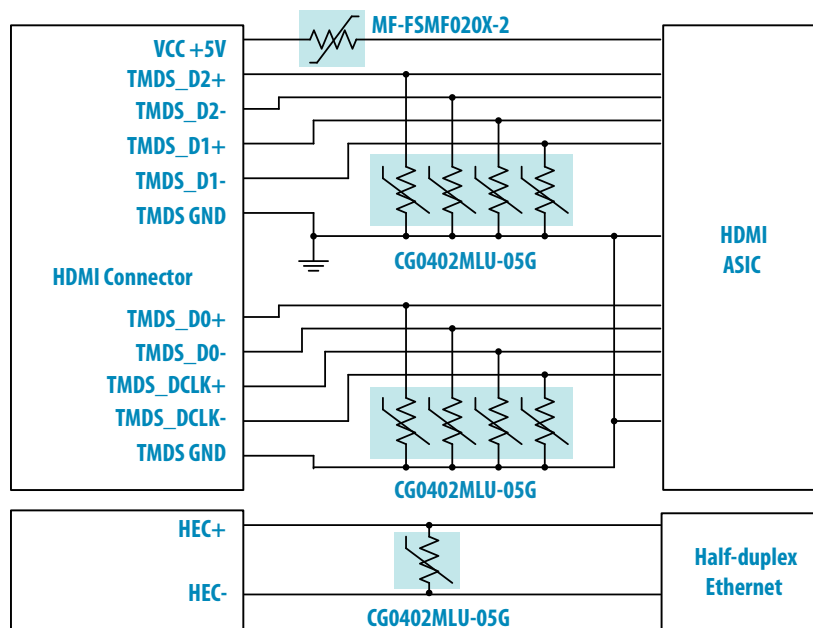
### Benefit

This solution provides IEC 61000 Level 4 ESD protection without impairing the HDMI signal.

### Design Kit



PN-DESIGNKIT-12



The schematic above illustrates the application protection and does not constitute the complete circuit design. Customers should verify actual device performance in their specific applications.